

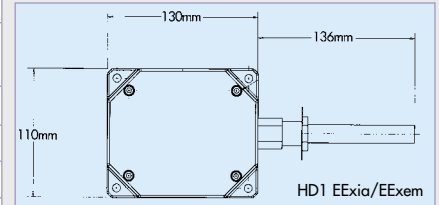
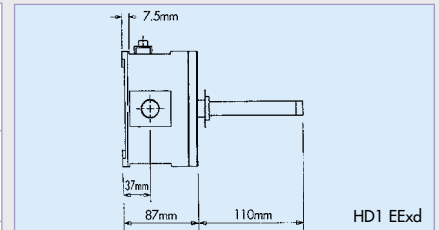
Detectors, Control & Distribution

HD1

Heat Detector – Explosionproof & Intrinsically Safe



Certification Flameproof Increased Safety Intrinsically Safe	Ex ATEX, GOST 'R' & 'K', Chinese ATEX Ex II 2G, EExd IIB T6 ATEX Ex II 2G, EExem II T6 ATEX Ex II 1G, EExia IIC T6
Certified Ambient Temperature	-20°C to +125°C EExd (T3)/ATEX/GOST 'R' -20°C to +55°C EExd (T6)/EExem -55°C to +55°C EExia
Ingress Protection	IP66 & 67
Material	Marine Grade Alloy (EExd) Corrosion-free GRP (EExia/EExem)
Temperature Settings	140°F to 725°F (60°C to 385°C)
Entries	2 x 20mm
Weight	1.1-2.0kg (model dependent)
Options: Enclosures, colour, tag and duty labels, temperature setting	

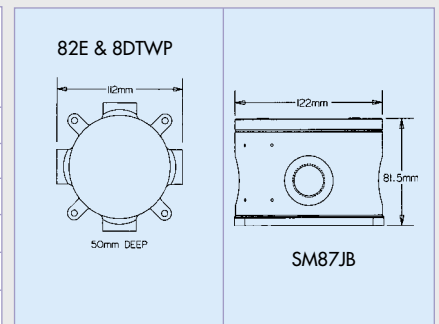


82E, 8DTWP, SM87JB

Cast Iron Junction Boxes Explosionproof



Certification Flameproof Increased Safety	Ex ATEX ATEX Ex II 2G, EExd IIB/IIC T6 ATEX Ex II 2G, EExe II T6
Certified Ambient Temperature	-20°C to +50°C
Ingress Protection	IP66 & 67
Material	Stainless Steel, Alloy or Cast Iron
Entries	Up to 4 x 20mm or 25mm
Weight	1.3-3.5kg (model dependent)
Options: Body colour, tag label, terminals	



Standard models. Available ex-stock.

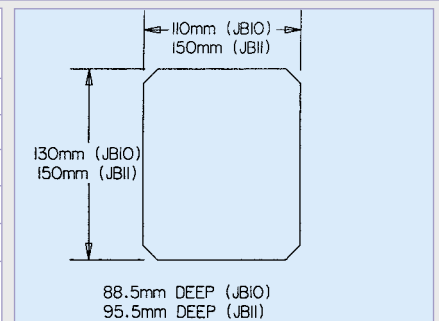
Certification	Ordering Code	Model	Standard Product Configuration
ATEX Ex II 2G	820005	82E	Standard models have BK6 terminals, 4 x 20mm entries, 1 per face, cast iron painted grey.
ATEX Ex II 2G	820010	SM87JB	

JB10 & JB11

GRP Junction Boxes – Explosionproof



Certification Increased Safety	Ex ATEX cULus ATEX Ex II 2G, EExe(m) II T3, T4, T5 & T6
Certified Ambient Temperature	-55°C to +55°C (model dependent)
Ingress Protection	IP66 & 67
Material	Corrosion-free GRP
Entries	Up to 8 side/4 base entries
Weight	1.1kg-1.8kg approx
Options: Body colour, tag label, terminals, external earth, gland continuity, LED, stainless steel fittings, side cable entries, high temp. version (up to +125°C)	



Standard models. Available ex-stock.

Certification	Terminals	Ordering Code	Model	Standard Product Configuration
ATEX Ex II 2G	6 x SAK 2.5	810001	JB10	Standard models have earth terminal, gland continuity, 4 x M20 entries, 1 on each face, natural black finish.
ATEX Ex II 2G	13 x SAK 2.5	811001	JB11	

Download data sheets from www.medc.com

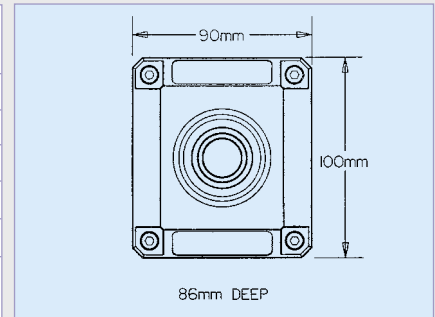
Detectors, Control & Distribution

CS1

Control Stations – Explosionproof



Certification	ATEX Ex II 2G, EExed IIC T5/6
Increased Safety	ATEX Ex II 2G, EExed IIC T5/6
Certified Ambient Temperature	-20°C to +50°C
Ingress Protection	IP66 & 67
Material	Corrosion-free GRP
Entries	Up to 2 x 20mm or 25mm
Weight	Approx. 0.9kg (model dependant)
Options: Pushbuttons, emergency stop, padlockable, contact block, rotary switches & block, potentiometer, lamps	



Standard models. Available ex-stock.

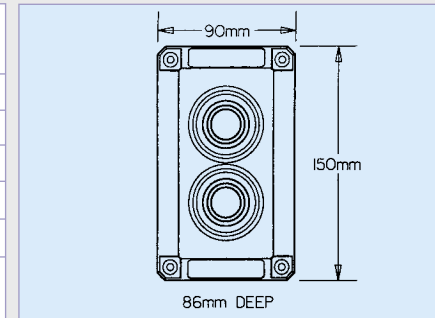
Certification	Description	Ordering Code	Standard Product Configuration
ATEX Ex II 2G	Mushroom Head Latching Emergency Stop	809021	Standard models are in natural black GRP, no tag or duty labels, 1 x M20 entry.
ATEX Ex II 2G	Pushbutton Start Green	809022	

CS2

Control Stations – Explosionproof



Certification	ATEX Ex II 2G, EExed IIC T5/6
Increased Safety	ATEX Ex II 2G, EExed IIC T5/6
Certified Ambient Temperature	-20°C to +50°C
Ingress Protection	IP66 & 67
Material	Corrosion-free GRP
Entries	Up to 2 x 20mm or 25mm
Weight	Approx. 0.9kg (model dependant)
Options: pushbuttons, emergency stop, contact block, padlockable, rotary switches & block, potentiometer, lamps	



Standard models. Available ex-stock.

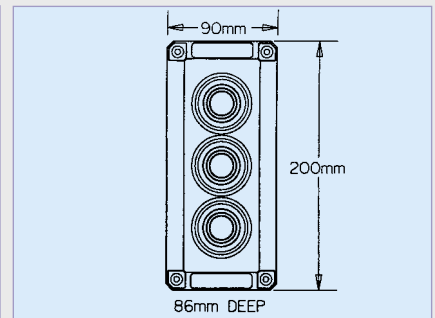
Certification	Description	Ordering Code	Standard Product Configuration
ATEX Ex II 2G	Pushbuttons Start Green/Stop Red	809024	Standard models are in natural black GRP, no tag or duty labels, 1 x M20 entry.
ATEX Ex II 2G	Pushbutton Start Green, Mushroom Head Latching Emergency Stop	809025	

CS3

Control Stations – Explosionproof



Certification	ATEX Ex II 2G, EExed IIC T5
Increased Safety	ATEX Ex II 2G, EExed IIC T5
Certified Ambient Temperature	-20°C to +50°C
Ingress Protection	IP66 & 67
Material	Corrosion-free GRP
Entries	Up to 2 x 20mm or 25mm
Weight	Approx. 1.3kg (model dependant)
Options: pushbuttons, emergency stop, contact block, padlockable, rotary switches & block, potentiometer, lamps	



Detectors, Control & Distribution

CP Range

Terminal Boxes & Control Panels – Explosionproof



A range of GRP Terminal Boxes and Control Panels. The Control Panels can be fitted with a variety of lamps, switches, pushbuttons and other accessories.

Certification	⊕ ATEX cⓁ _{us}		
Increased Safety	ATEX Ex II 2G, EExe II T5/T6		
Ingress Protection	IP66		
Material	Corrosion-free GRP		
Dimensions (mm):	Width x Height x Depth		
	CP 04	170	112.5 91
	CP 05	170	170 91
	CP 06	227	170 91
	CP 07	340.5	170 91
	CP 07D	340.5	170 150
	CP 08	340.5	340.5 91
	CP 08D	340.5	340.5 150
	CP 09	681.5	340.5 91

GP1, 2 & 3, G2, JL Range

Control Units & Motor Starters – Explosionproof



GP1 & 3 / GP1 & 3S



GP2 & GP4



JL & JLS

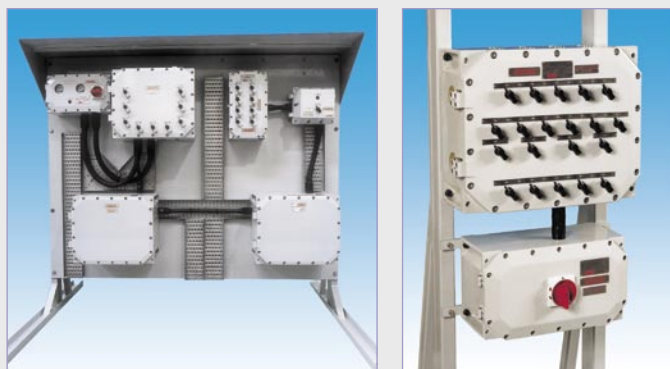


G2 & G2S

A range of custom built control and motor starter units which can be used individually or combined to provide hazardous area systems for indoor or outdoor use.

Certification	⊕ ATEX		
Flameproof	ATEX Ex II 2G, EExd		
Ingress Protection	IP65 & 66		
Material	Cast iron, Stainless Steel or Alloy		
Dimensions (mm):	Width x Height x Depth		
	GP1/GP1S	580	480 240
	GP2/GP2S	480	275 243
	GP3/GP3S	580	480 365
	JL4/2/JL4/2S	305	265 150
	JL4/3/JL4/3S	305	265 237
	G2/G2S	156	257 175

Distribution Panels & Boards – Explosionproof



A range of custom built distribution systems utilising MEDC's expertise in hazardous area applications to ensure a safe and reliable solution to customer specifications.

Certification	⊕ ATEX	
Flameproof	ATEX Ex II 2G, EExd IIB	
Ingress Protection	IP66	
Material	Cast iron enclosures	

Download data sheets from www.medc.com